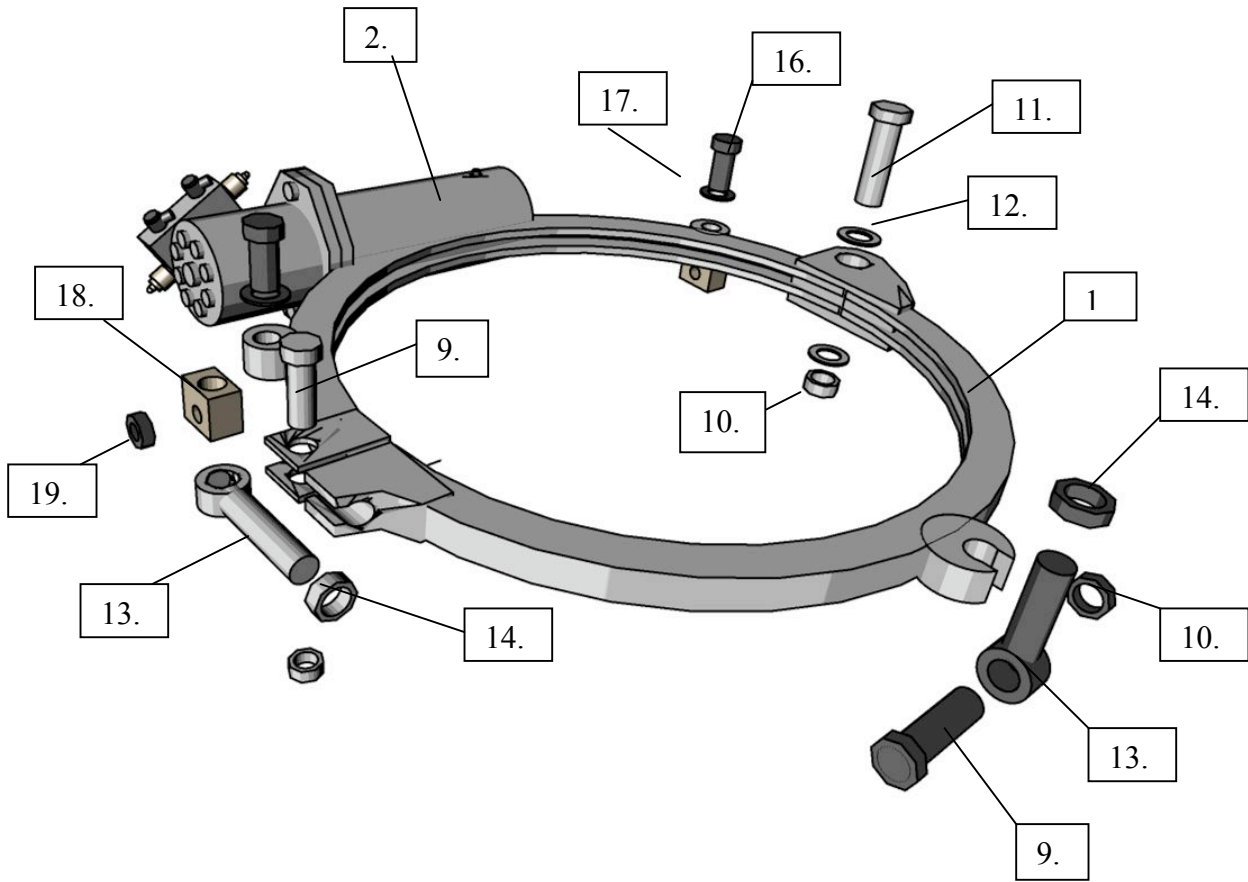


PIPE GROOMER CHUTE REPAIR AND PARTS MANUAL

PBL ENTERPRISES

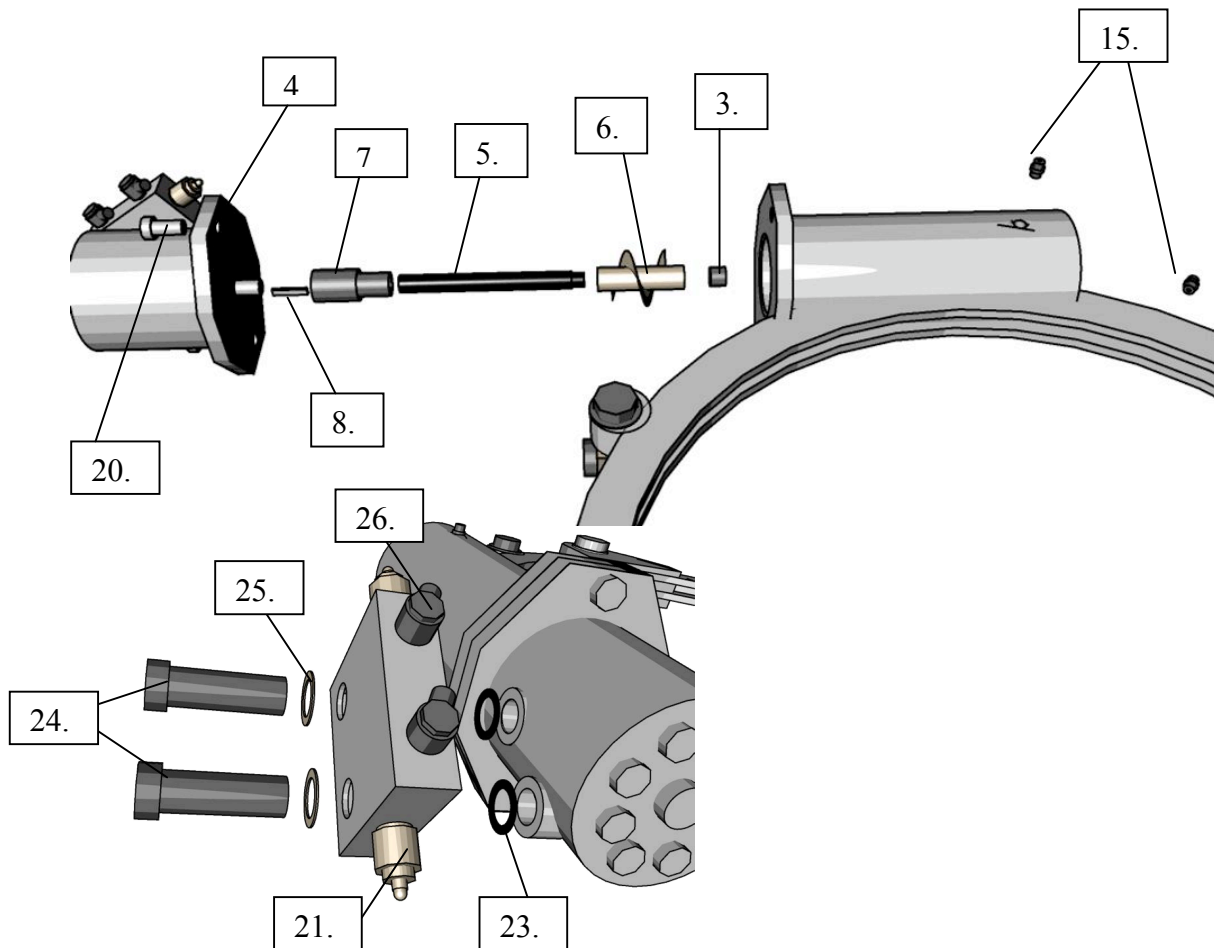
<http://service.zauggamerica.com>

Chute Guide Ring Assembly



This area is for information regarding maintenance on these parts.

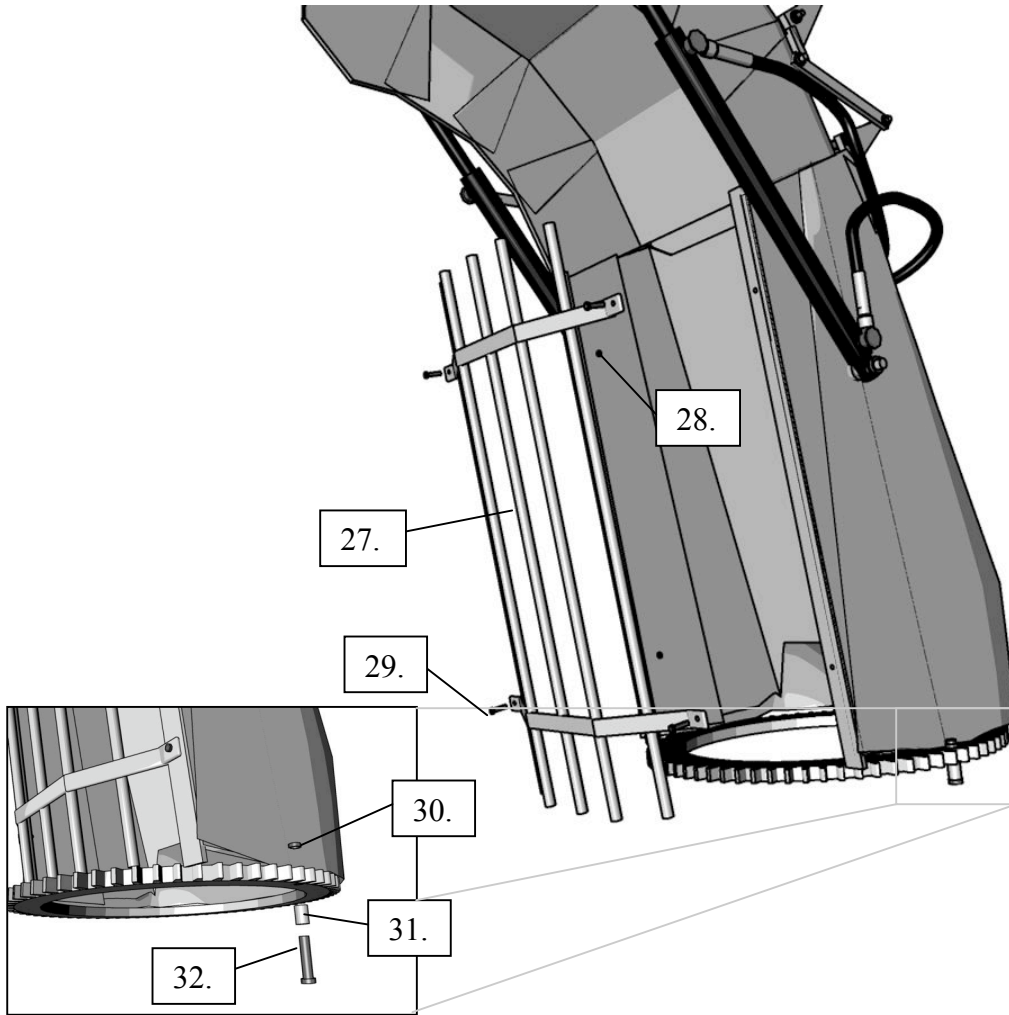
Chute Rotation Hydraulic Motor Assembly



6. The brass worm gear will wear out eventually, check this in your regular summer service.

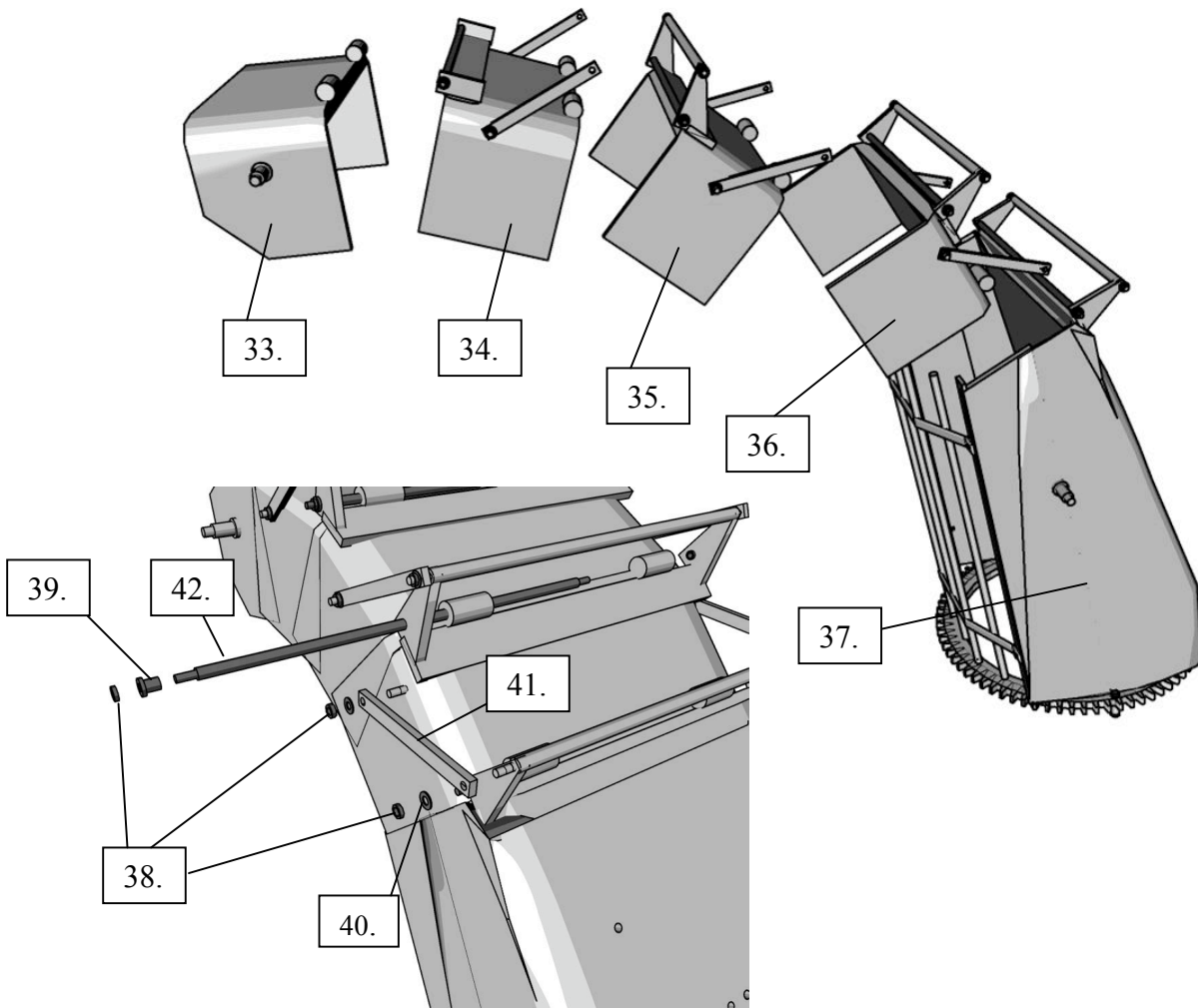
15. These zerks need to be greased in the summer service.

Front guard



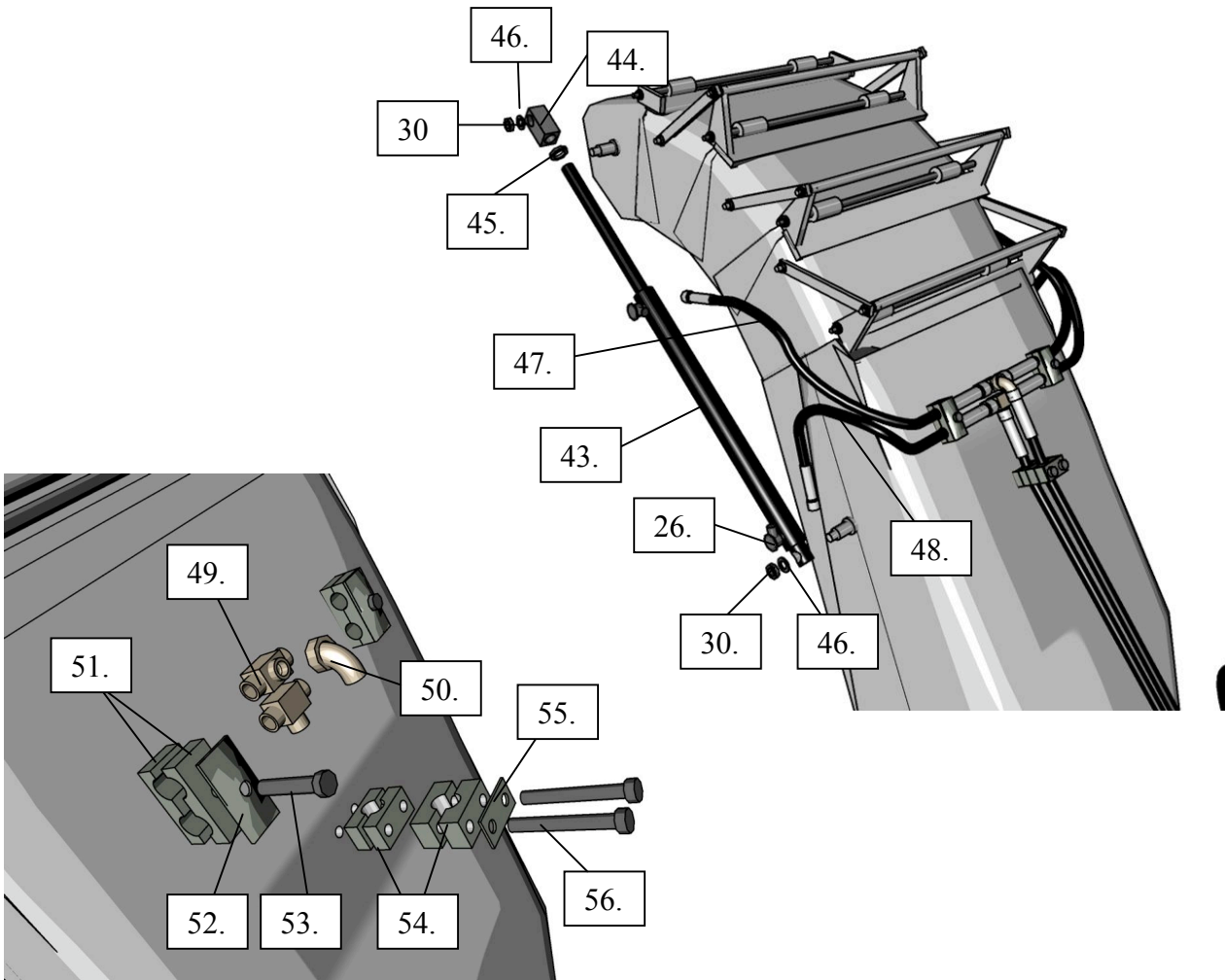
- 27. Do not remove front guard and operate machine, it provides structural support.
- 31. The stop sleeve keeps the chute from rotating 360 degrees.

Klaps



This area is for information regarding maintenance on these parts.

Chute Adjustment Hydraulics



This area is for information regarding maintenance on these parts.

Chute Parts List

1	SF 1120	Guide Ring
2	SF 1119	Guide ring with worm bearing
3	NT 22-101	Bushing
4	HY 35-0	Hydraulic Motor 50 cm 3/U
5	SF 3736-101	Worm Shaft
6	SF 3737	Brass Worm Gear
7	SF 3738-102	Motor coupler
8	D6885 A 8/7X32	Square key
9	D931 M12X50	Hex head screw 8.8
10	D985 M12	Lock Nut
11	D7968 M12X65	Hex head fit screw
12	D125 A M12	Flat washer
13	D444 A M12X60	Eye bolt
14	NT 21 M12	Flange Nut
15	V19337/81 M6	grease zerk
16	D931 M12X45	Hex head cap screw 8.8
17	NT 202 M12	Flat washer
18	SF 903	Pivot base
19	D985 M16	Lock nut
20	D933 M12X35	Hex head cap screw 8.8
21	HY 349-0	Pressure control valve
22	HY 370	Pressure relief valve assembly
23	NT 10 25X2.5	O-Ring
24	HSR 1/2Z	Banjo bolt
25	DKA 22X4.5	Seating washer
26	SWVE 8-L M12X1.5	banjo fitting
27	SF 4677-0	Front guard
28	D985 M10	Lock Nut
29	D933 M10X20	Hex head cap screw 8.8

30	D985 M12	Lock Nut
31	SF 4190	Stop Sleeve
32	D912 M12X55	Cylinder head stud
33	SF 5240-0-102	Cap
34	SF 5239-0-102	End klap
35	SF 5238-0-102	Center klap
36	SF 5237-0-102	Begin klap
37	SF 4222-0-102	Chute base
38	D985 M8	Lock nut
39	SF 5243-102	Bushing
40	D125 A M8 A2	Flat Washer
41	SF 4220-102	Lever
42	SF 5244-102	Threaded shaft
43	HY 41-0-102	Hydraulic Cylinder
44	SF 4221-102	End block
45	D936 M16X1.5	Hex nut 0,5
46	D125 A M12 A4	Flat washer
47	HY 6-0-101	Hydraulic hose 450
48	HY 6-0-102	hydraulic hose 550
49	T 8-L	T-Connection
50	EVW 8-L	Theaded 90 degree fitting
51	NT 225 D15	Hose clamp
52	NT 226 GD2D	Cover plate
53	D931 M8X35	Hex head cap screw 8.8
54	NT 222 D15	Hose clamp
55	NT 223 DP2	Cover plate
56	D931 M6X70	Hex head cap screw 8.8