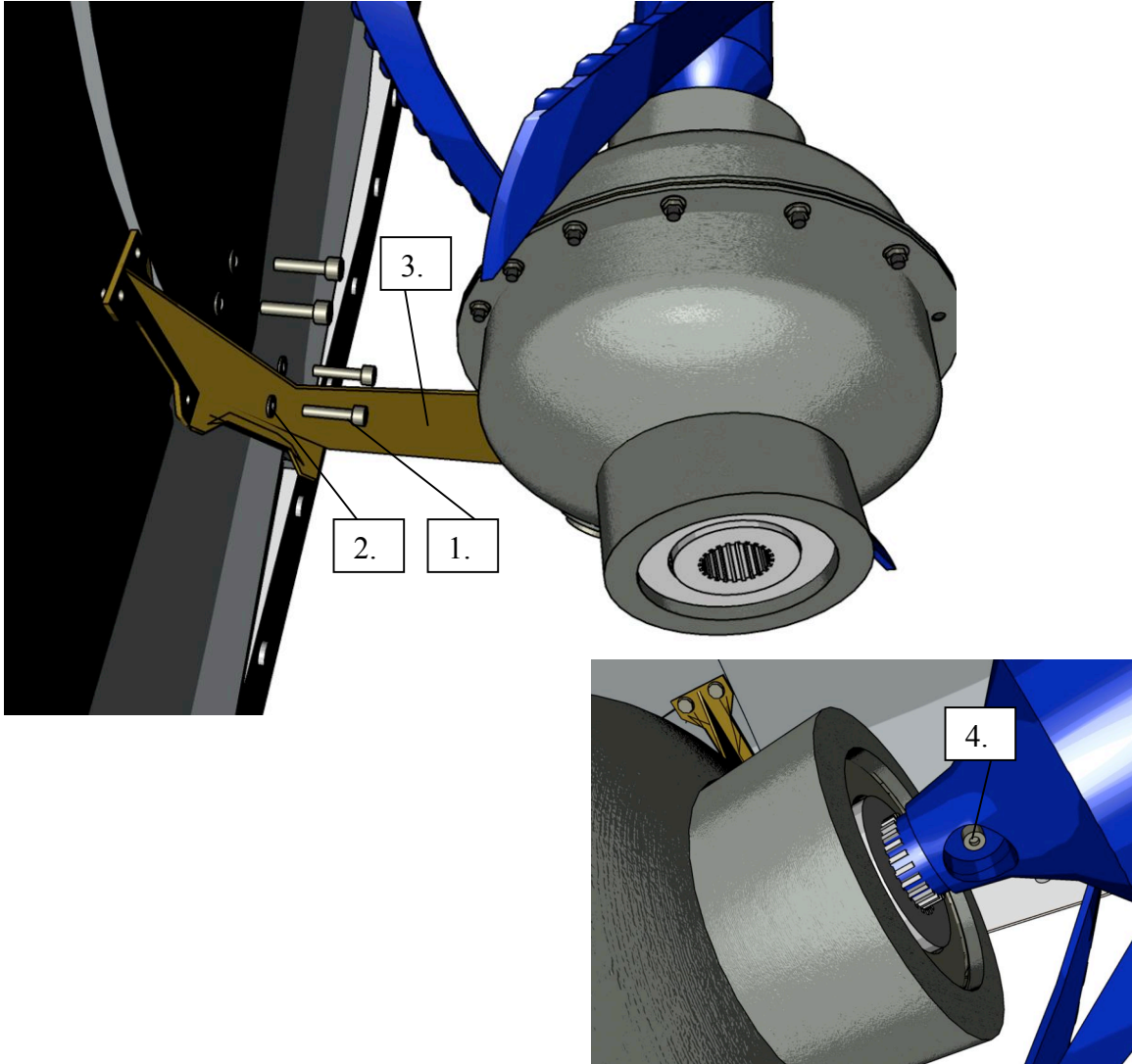


PIPE MONSTER GEARBOX REPAIR AND PARTS MANUAL

PBL ENTERPRISES

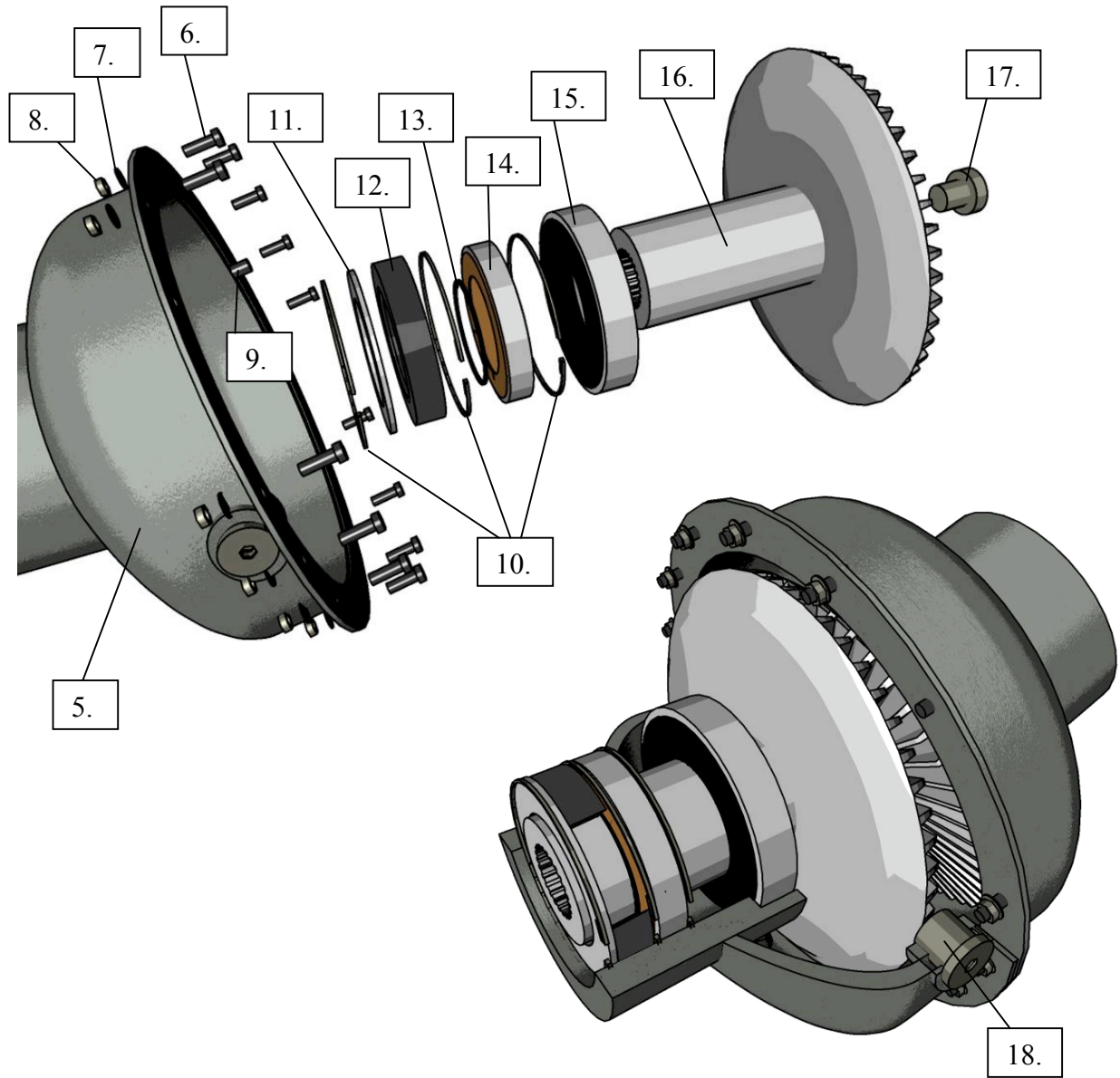
<http://service.zauggamerica.com>

Gearbox Strut



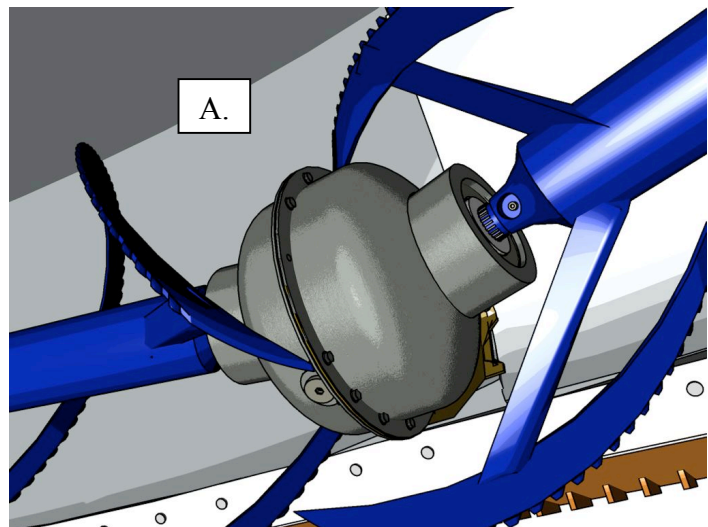
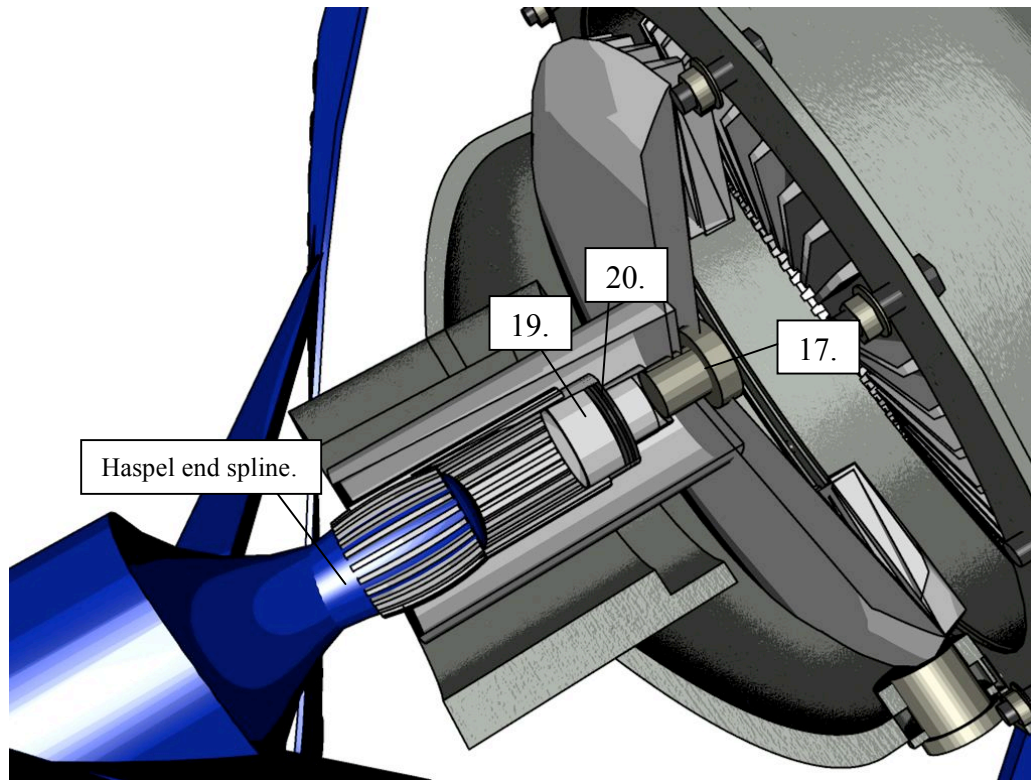
1. A recent [service bulletin](#) addressed an issue, all of these gearbox bolts on gearboxes 1, 2 and 3 have been replaced with 10.9 bolts.
4. These grease zerks located at the ends of all haspels need to be greased in the regular summer service.

Inside the Gearbox



18. Each gearbox holds 18 oz of oil, should be checked/replaced in the summer service.

Inside the Gears



- 19. Be careful when attaching gearboxes and haspels that the button is in the right position. There should be about 1/8 inch of play between the spline and the button.
- A. When attaching haspels to gearboxes, make sure the tips are lined up about 90 degrees apart so they don't hit each other.

Gearbox Parts List

	SF 2935-0-110	Pipe Monster Gearbox
1	D933 M10X30	Gearbox mount bolts
2	31514	Gearbox mount washers
3	PD 716-0	Strut
4	V19337/81 M6	Grease Zerk
5	SF 6580	Gearbox case half
6	D931 M6X35 10.9	hex head cap screw 10.9
7	NT 202 M6	washer
8	D985 M6	Lock nut
9	D1481 6X20	dowel ring
10	D472 J 95X3	snap ring
11	SF 6585	washer
12	D3760 A60/95X10	Oil Seal
13	D471 A 60X2	small snap ring
14	6012 2RS	small ball bearing
15	6212 2RS	big ball bearing
16	SF 6576	Gear
17	VSTI M22X1.5-ED	Plug
18	VSTI G1/2"-ED	Drain Plug
19	SF 6583	Button
20	D988 25/35X2	Shim ring
21	NT 314-0	Shims for the big bearing
22	NT 145-0	Shims for the small bearing