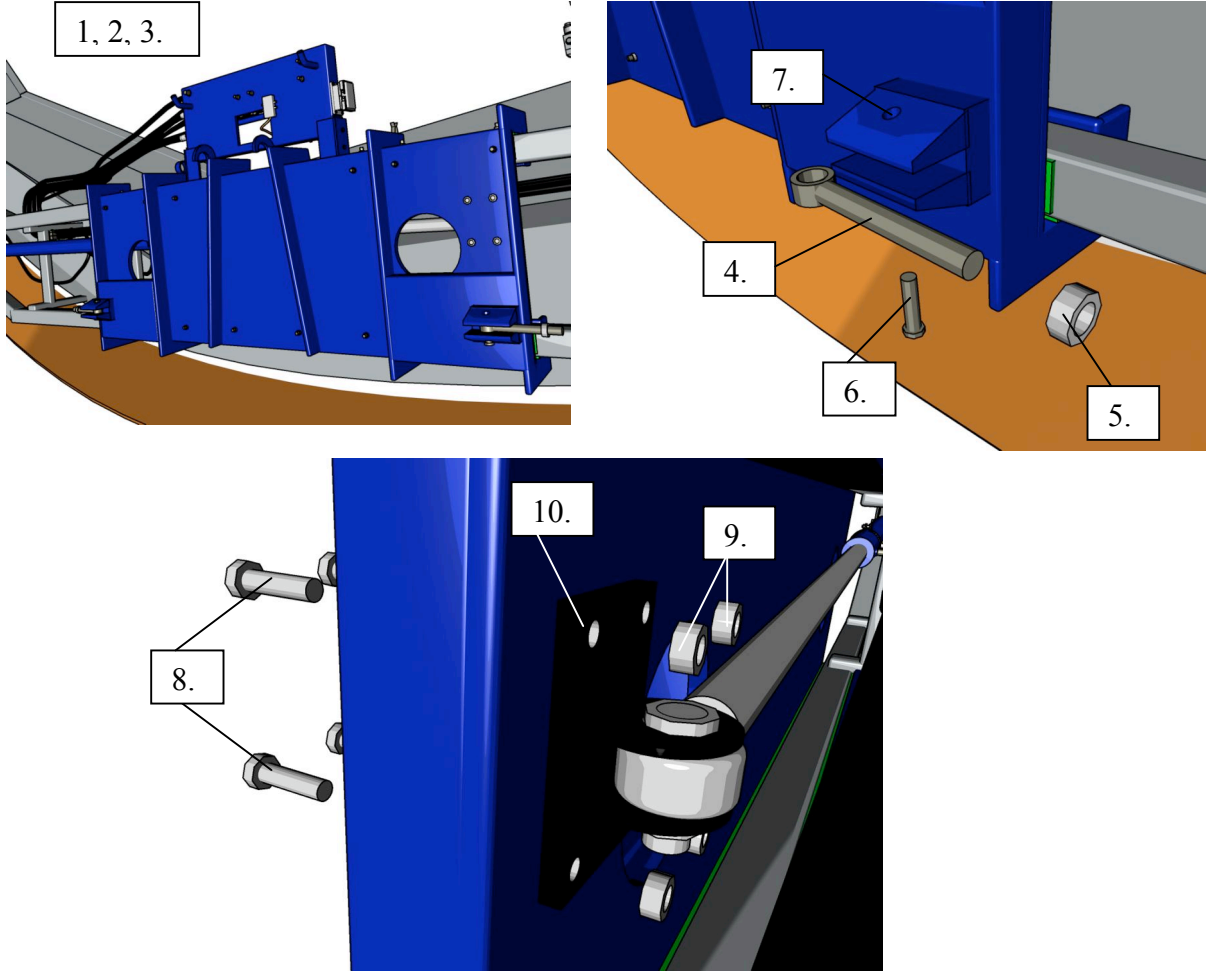


PIPE GROOMER MOUNT FRAME REPAIR AND PARTS MANUAL

PBL ENTERPRISES

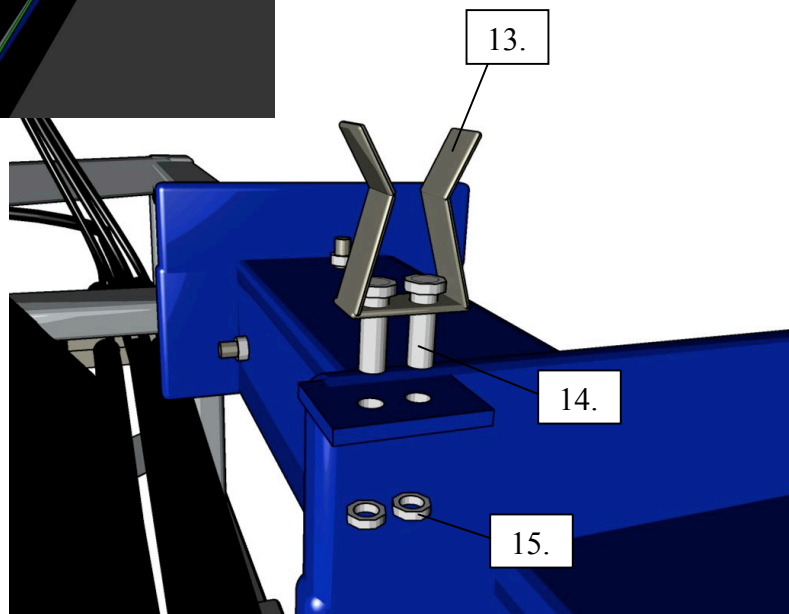
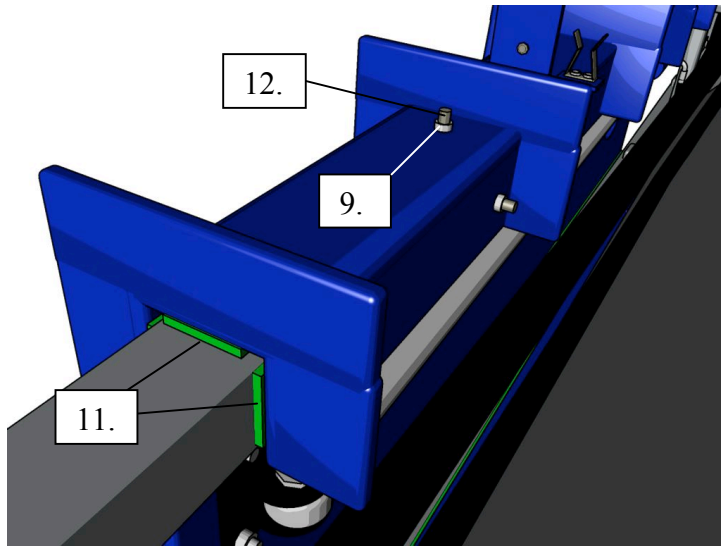
<http://service.zauggamerica.com>

Mount Frame



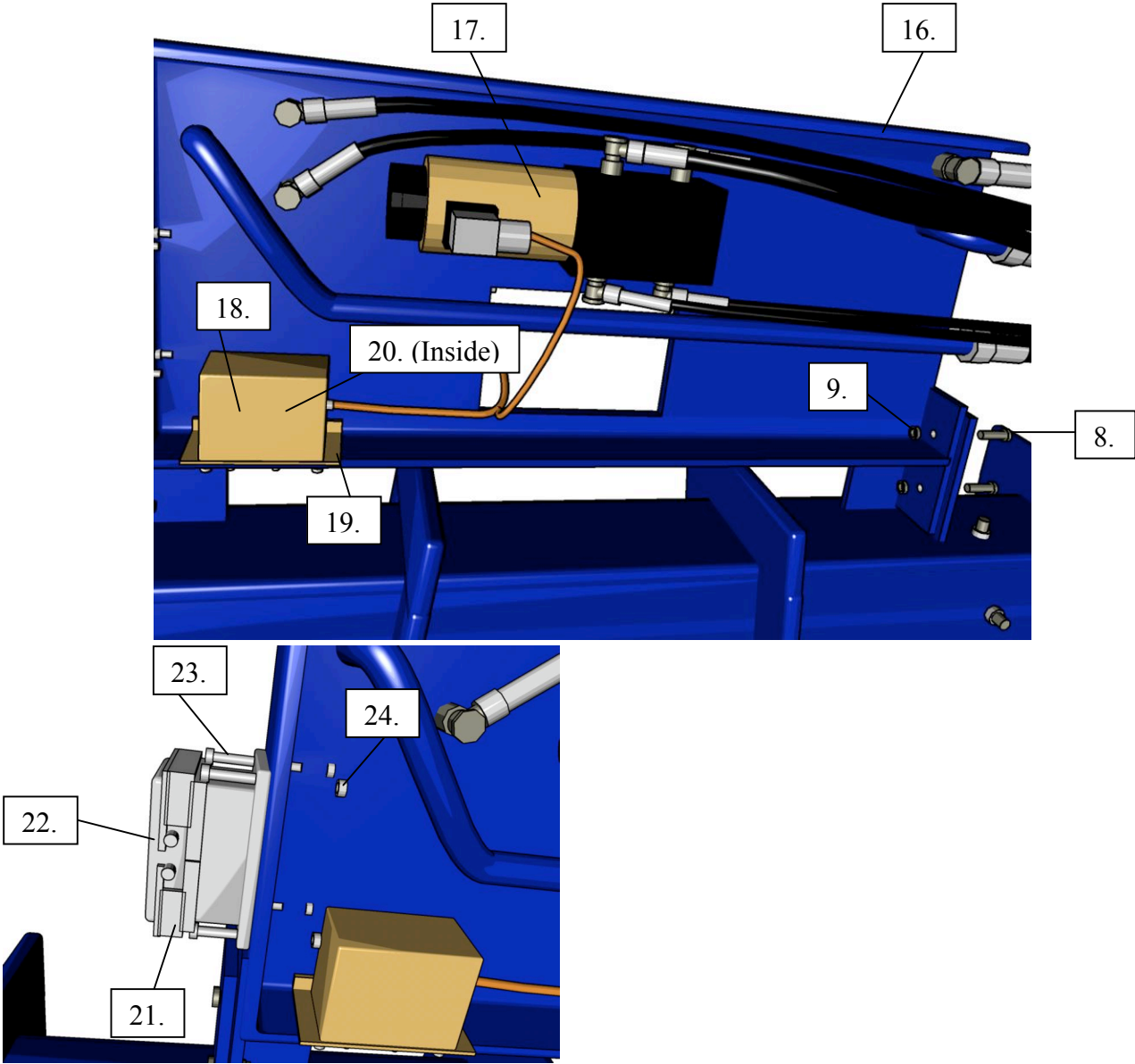
1, 2, 3. Each snow-cat type requires a different mount frame. These are the common models.

Wear Strips



This area is for information regarding maintenance on these parts.

Hose Fixture



This area is for information regarding maintenance on these parts.

Mount Frame Parts List

1	SF 8209	Bombardier Terrain Master Mount Frame
2	SF 2947-0	Pisten Bully Mount Frame
3	SF 2948-0	Bombardier 4 Point (Old Style) Mount Frame
4	6.321.317.000.0	Eye Bolt
5	0.374.361.151.0	Nut
6	SF 5115	Pin
7	D1481 5X30	Roll Pin
8	D933 M10X25	Hex Head Cap Screw 8.8
9	D985 M10	Lock Nut
10	PD 637-0	Mount for Lateral Hydraulic Cylinder
11	SF 6239	Mount Frame Wear Strips
12	BN 1206 M10X25	Cylinder Head Stud 8.8
13	SF 46	Retaining Spring
14	D933 M6X16	Hex Head Cap Screw 8.8
15	D985 M6	Lock Nut
16	HY 2006-0	Hose Fixture
17	HY 1557-0-102	Switching Valve
18	EL 668-0	Gold Box
19	EL 672	Mounting Plate
20	201-10-101-0036	Vert Post
21	0930 010 0301	Mounted Case for External Connector
22	0930 010 5407	Connector Cover
23	D933 M4X16	Hex Head Cap Screw 8.8
24	D985 M4	Lock Nut