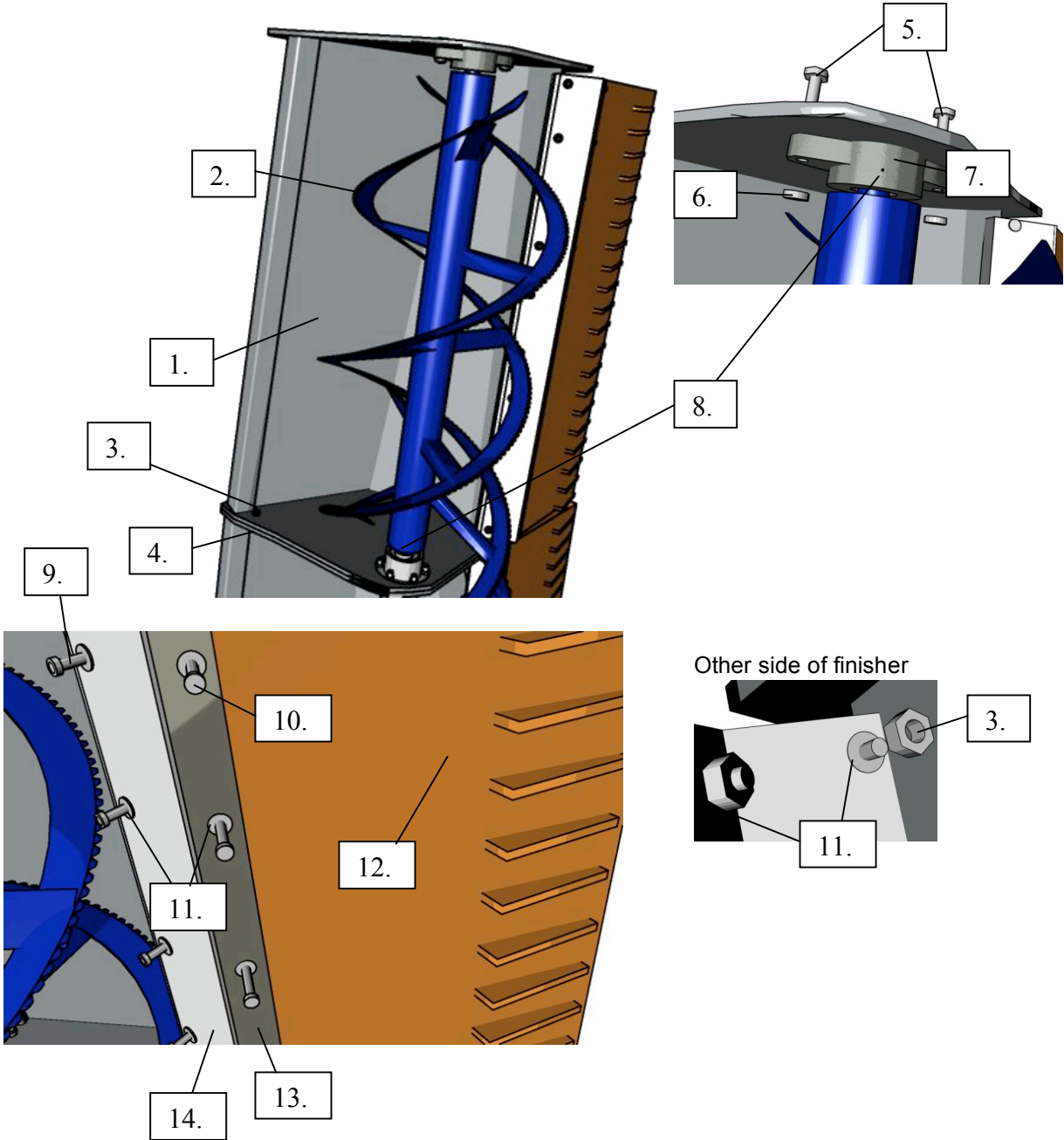


**PIPE MONSTER 4FT QUARTER-PIPE EXTENSION REPAIR AND
PARTS MANUAL**

PBL ENTERPRISES

<http://service.zauggamerica.com>

4ft Quarter-Pipe Extension



8. These grease zerks need greased during the annual summer service of the machine.

4ft Quarter-Pipe Extension Parts List

1	PD 719-0	Frame
2	PD 720-0	Haspel
3	D985 M8	Lock Nut
4	D933 M8x25	Hex Head Cap Screw 8.8
5	D933 M14x40	Hex Head Cap Screw 8.8
6	D985 M14	Lock Nut
7	UBPFL 207	Flange Bearing
8	V19337/81 M6	Grease Zerk
9	I7380 M8x35	Oval Head Cap Screw
10	I7380 M8x30	Oval Head Cap Screw
11	D9021 M8	U Washer
12	PD 722	Finisher
13		Custom Sheet Metal Piece
14	PD 721	Blade